

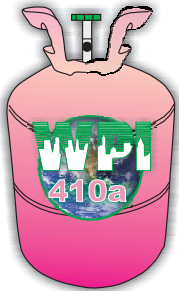
WHALEY PRODUCTS INC.

P.O. Box 817, BURKBURNETT, TX 76354

PH: 940-569-4116 FAX: 940-569-4247 WWW.WATERCHILLERSYSTEMS.COM

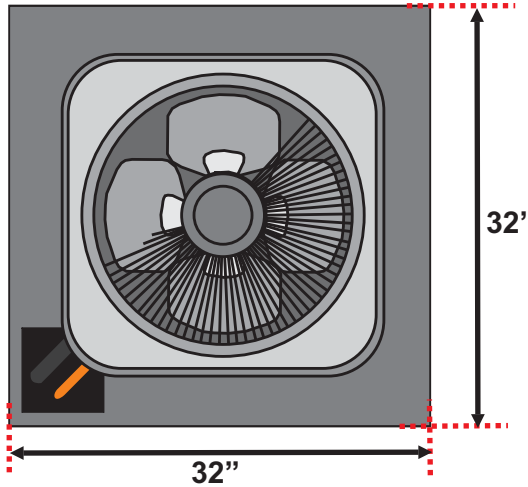


Air Cooled Portable Chiller Model SAP1.5-2-PT



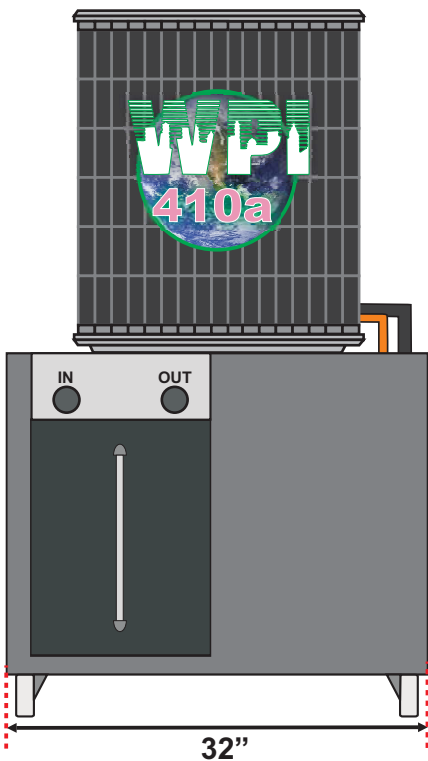
Made in the USA

Aerial View

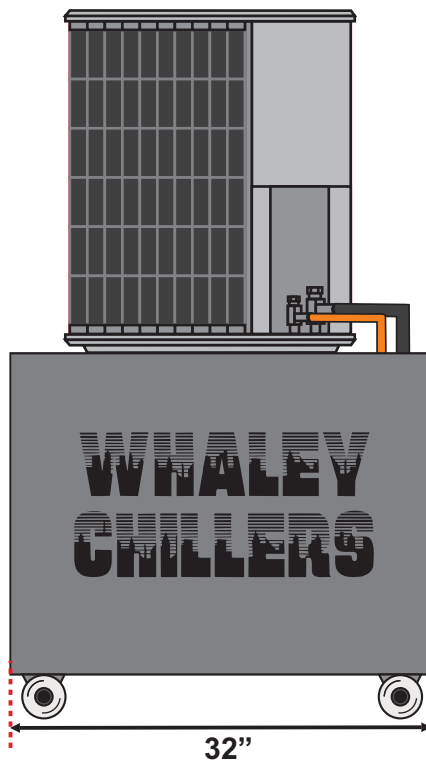


Model #: SAP1.5-2-PT
Nominal Tons: 1.5 Ton
KW: 5.25
BTU/hr: 18,000
Pump Configuration: Single
Voltage: 208-230/1
Unit FLA: 15.1
Supply Pump HP: 0.5HP
Circ Pump HP: N/A
Max Flow: 3.6gpm
Insulated Poly Tank Size: 15gal
Length: 32"
Width: 32"
Height: 60"
Number of Compressors: 1
Inlet/Outlet Connections: 0.75"

Left Side View



Front View



Right Side View

