

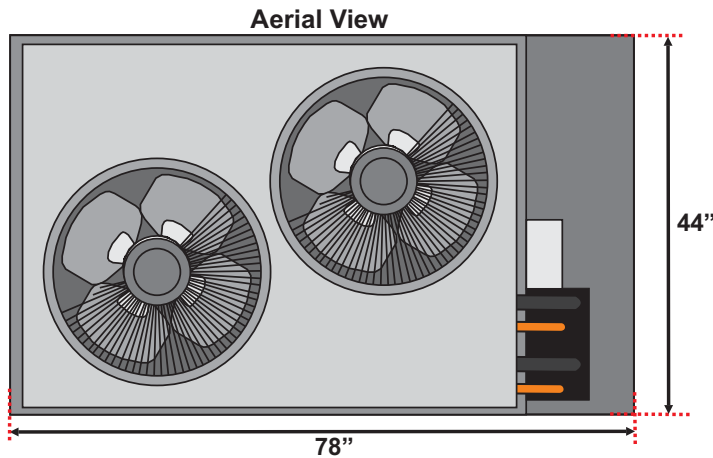
# WHALEY PRODUCTS INC.

P.O. Box 817, BURKBURNETT, TX 76354

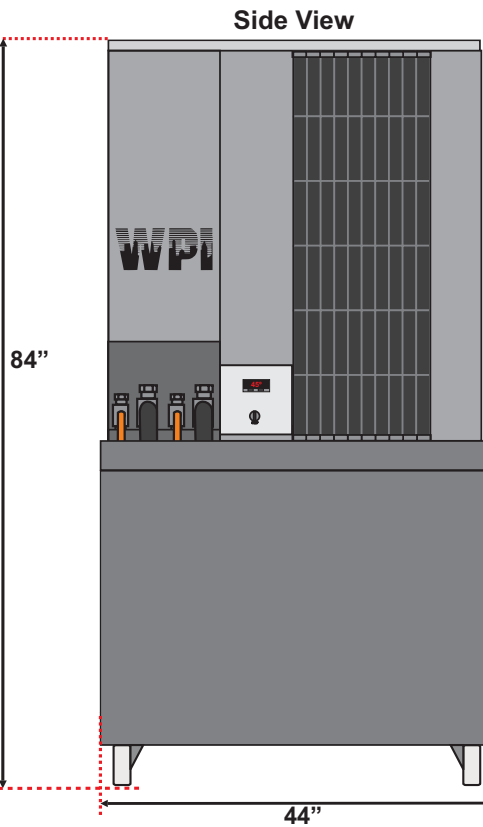
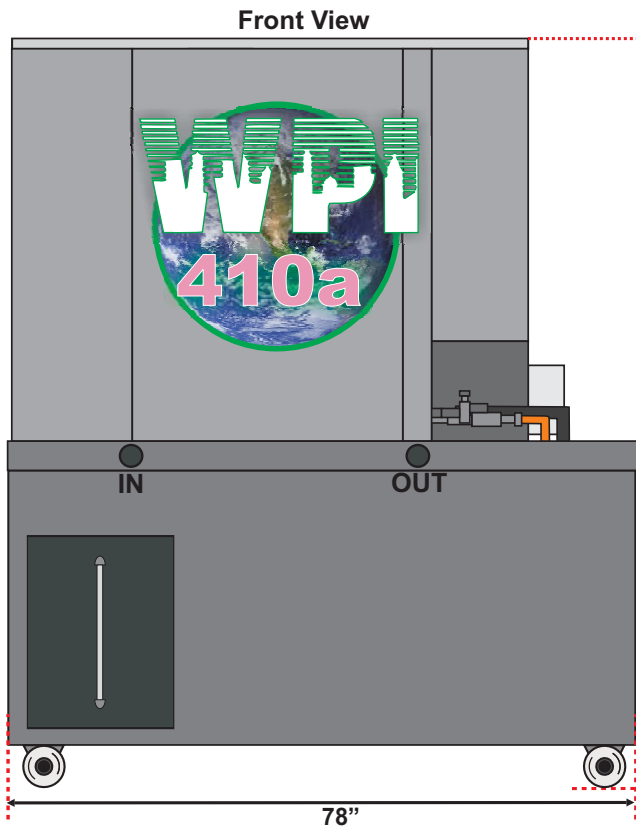
PH: 940-569-4116 FAX: 940-569-4247 WWW.WATERCHILLERSYSTEMS.COM



## Air Cooled Portable Chiller Model SAP10D-3-PT



Model #: SAP10D-3-PT  
Nominal Tons: 10 Ton  
KW: 35.1  
BTU/hr: 120,000  
Pump Configuration: Single  
Voltage: 208-230/3  
Unit FLA (1 On Compressor): 27.9  
Unit FLA (2 On Compressors): 44.3  
Supply Pump HP: 2 HP  
Circ Pump HP: N/A  
Max Flow: 24 gpm  
Insulated Poly Tank Size: 40gal  
Length: 78"  
Width: 44"  
Height: 84"  
Number of Compressors: 2  
Inlet/Outlet Connections: 1ea 1.25"



Made in the USA