

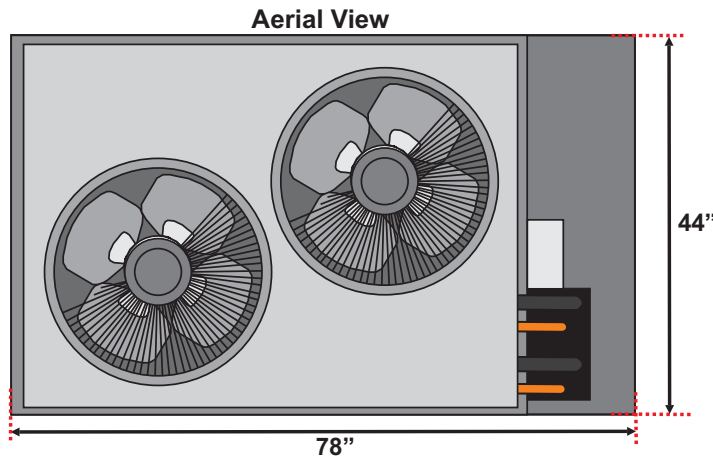
WHALEY PRODUCTS INC.

P.O. Box 817, BURKBURNETT, TX 76354

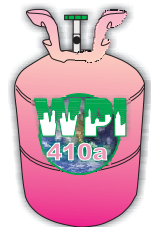
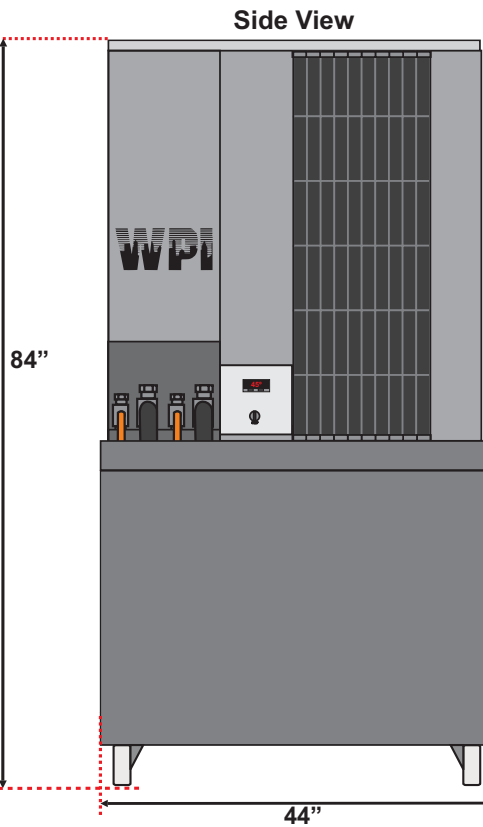
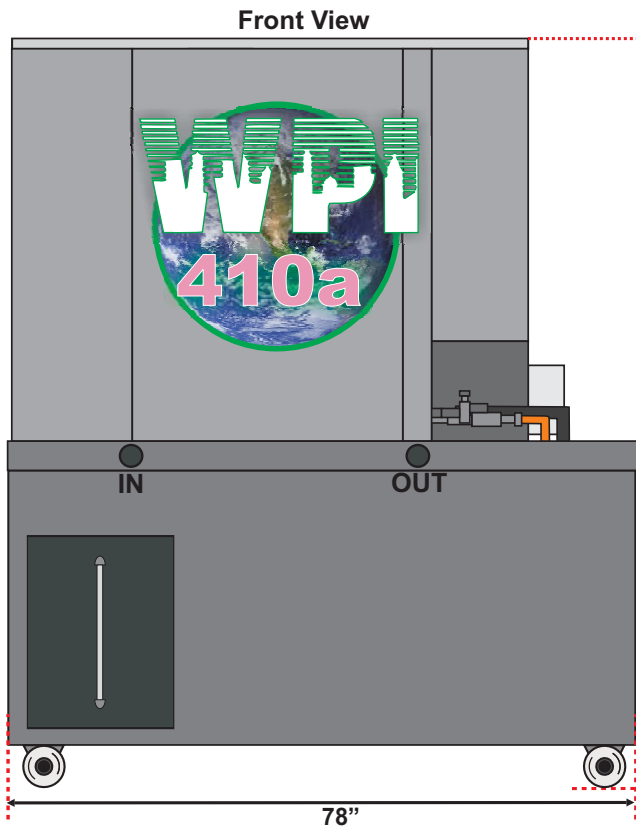
PH: 940-569-4116 FAX: 940-569-4247 WWW.WATERCHILLERSYSTEMS.COM



Air Cooled Portable Chiller Model SAP10D-4-2PT



Model #: SAP10D-4-2PT
Nominal Tons: 10 Ton
KW: 35.1
BTU/hr: 120,000
Pump Configuration: Dual
Voltage: 460/3
Unit FLA (1 On Compressor): 13.5
Unit FLA (2 On Compressors): 22.6
Supply Pump HP: 2 HP
Circ Pump HP: 0.5 HP
Max Flow: 24 gpm
Insulated Poly Tank Size: 40gal
Length: 78"
Width: 44"
Height: 84"
Number of Compressors: 2
Inlet/Outlet Connections: 1ea 1.25"



Made in the USA