

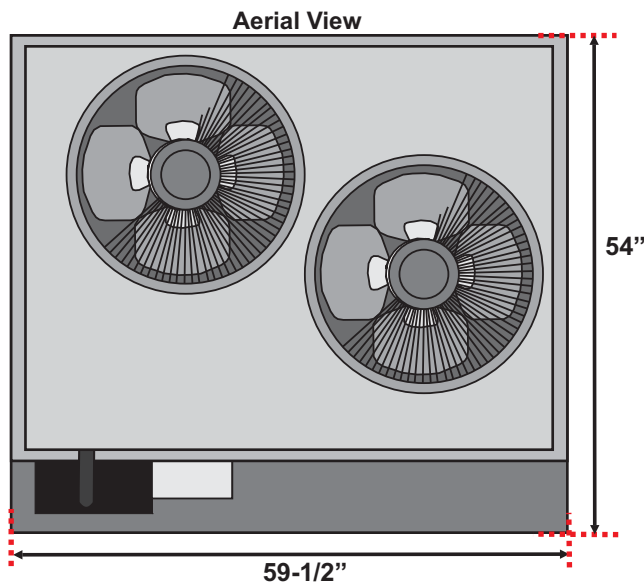
WHALEY PRODUCTS INC.

P.O. Box 817, BURKBURNETT, TX 76354

PH: 940-569-4116 FAX: 940-569-4247 WWW.WATERCHILLERSYSTEMS.COM



Air Cooled Portable Chiller Model SAP12.5-3-2PT



Model #: SAP12.5-3-2PT
Nominal Tons: 12.5 Ton
KW: 43.9
BTU/hr: 150,000
Pump Configuration: Dual
Voltage: 208-230/3
Unit FLA: 62.6
Supply Pump HP: 2 HP
Circ Pump HP: 1.0 HP
Max Flow: 30 gpm
Insulated Poly Tank Size: 40gal
Length: 59-1/2"
Width: 54"
Height: 84-1/2"
Number of Compressors: 1
Inlet/Outlet Connections: 1ea 1.25"

