

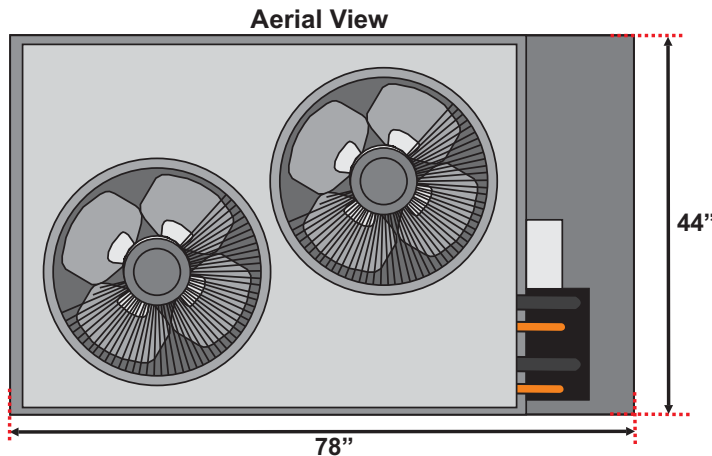
WHALEY PRODUCTS INC.

P.O. Box 817, BURKBURNETT, TX 76354

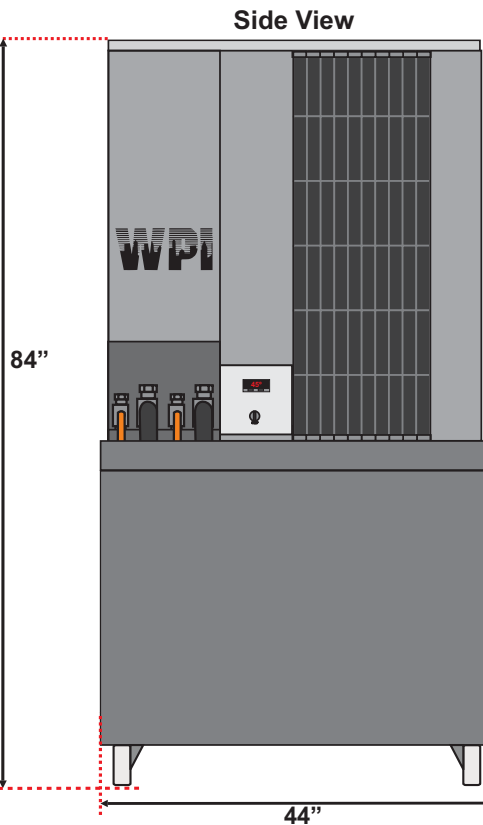
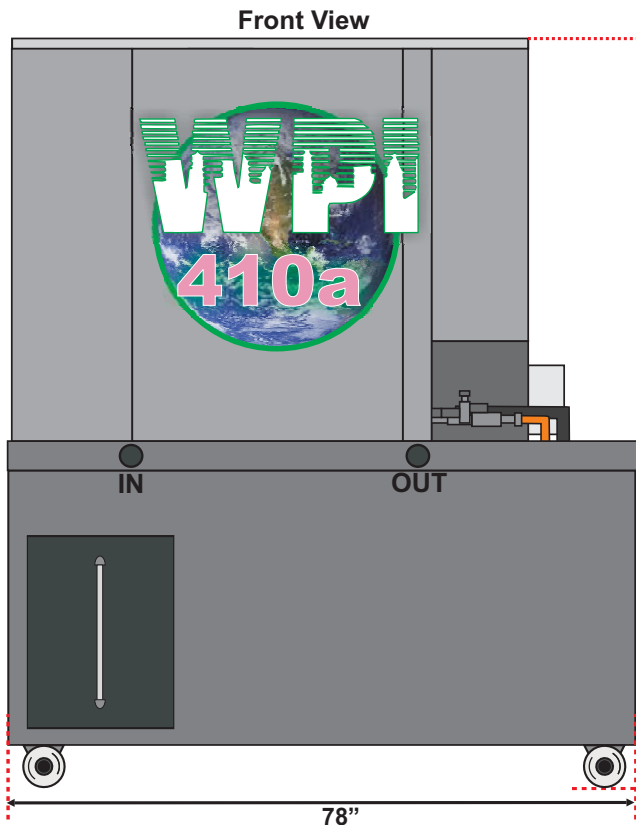
PH: 940-569-4116 FAX: 940-569-4247 WWW.WATERCHILLERSYSTEMS.COM



Air Cooled Portable Chiller Model SAP12.5D-3-PT



Model #: SAP12.5D-3-PT
Nominal Tons: 12.5 Ton
KW: 43.9
BTU/hr: 150,000
Pump Configuration: Single
Voltage: 208-230/3
Unit FLA (1 On Compressor): 29.5
Unit FLA (2 On Compressors): 51.5
Supply Pump HP: 2 HP
Circ Pump HP: 1.0 HP
Max Flow: 30 gpm
Insulated Poly Tank Size: 40gal
Length: 78"
Width: 44"
Height: 84"
Number of Compressors: 2
Inlet/Outlet Connections: 1ea 1.25"



Made in the USA