

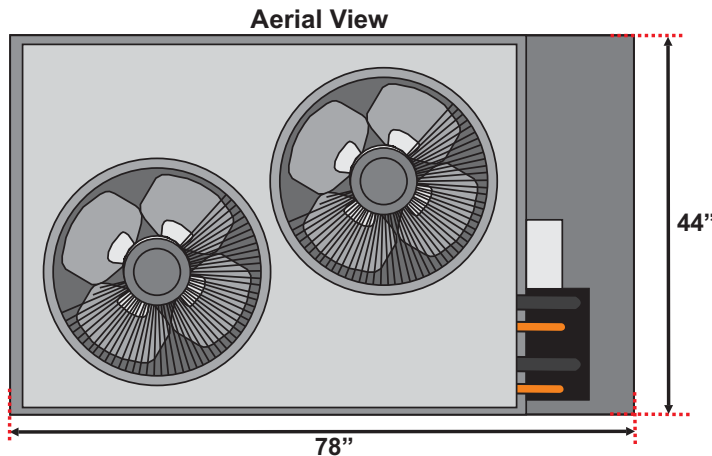
WHALEY PRODUCTS INC.

P.O. Box 817, BURKBURNETT, TX 76354

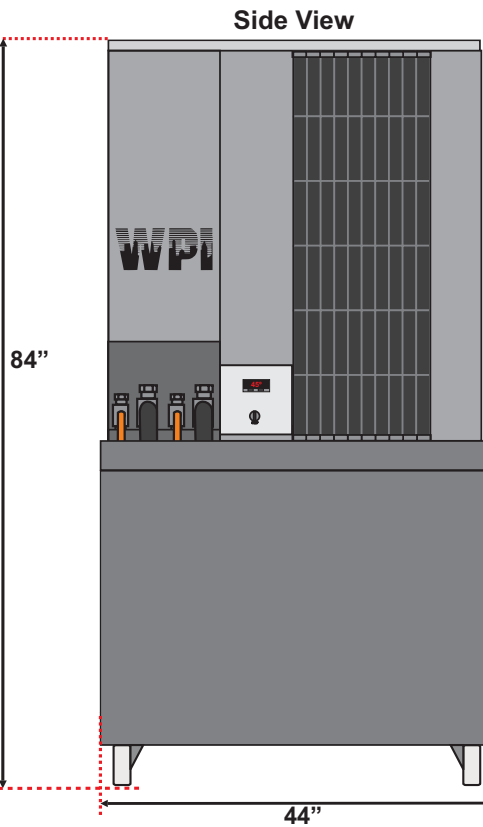
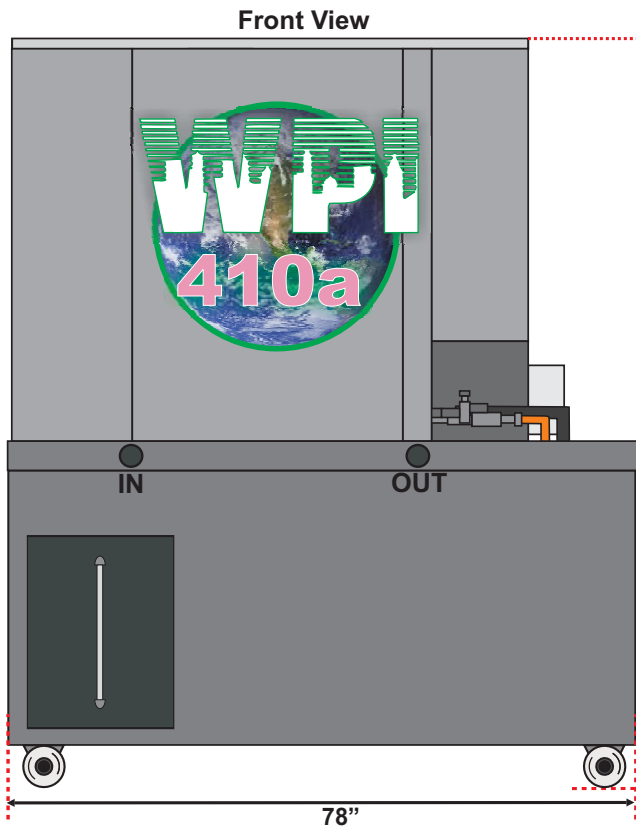
PH: 940-569-4116 FAX: 940-569-4247 WWW.WATERCHILLERSYSTEMS.COM



Air Cooled Portable Chiller Model SAP12.5D-4-2PT



Model #: SAP12.5D-4-2PT
Nominal Tons: 12.5 Ton
KW: 43.9
BTU/hr: 150,000
Pump Configuration: Dual
Voltage: 460/3
Unit FLA (1 On Compressor): 18.6
Unit FLA (2 On Compressors): 29.8
Supply Pump HP: 2 HP
Circ Pump HP: 1 HP
Max Flow: 30 gpm
Insulated Poly Tank Size: 40gal
Length: 78"
Width: 44"
Height: 84"
Number of Compressors: 2
Inlet/Outlet Connections: 1ea 1.25"



Made in the USA