

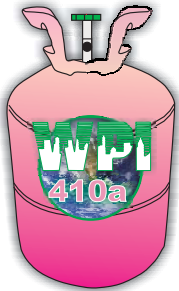
WHALEY PRODUCTS INC.

P.O. Box 817, BURKBURNETT, TX 76354

PH: 940-569-4116 FAX: 940-569-4247 WWW.WATERCHILLERSYSTEMS.COM

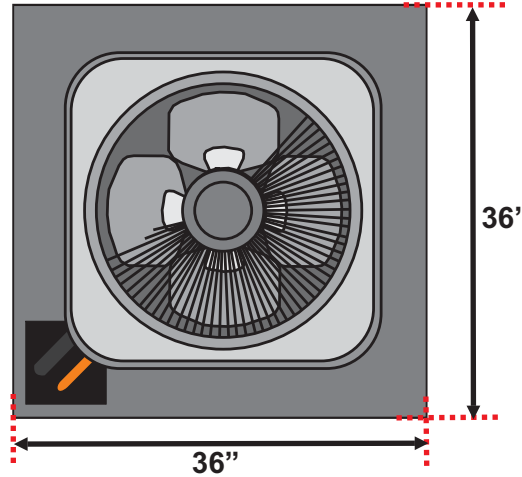


Air Cooled Portable Chiller Model SAP5-2-PT



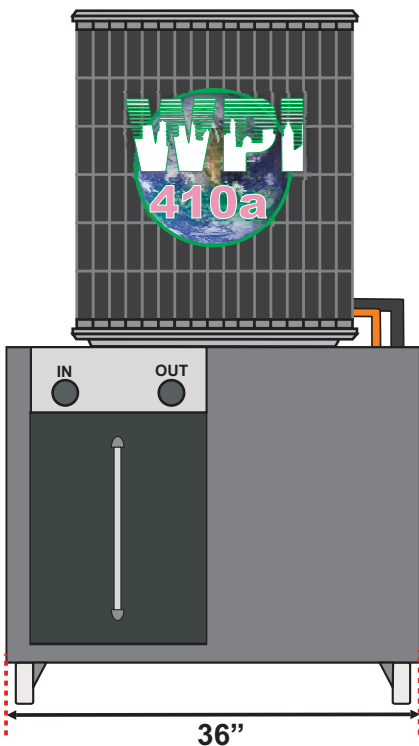
Made in the USA

Aerial View

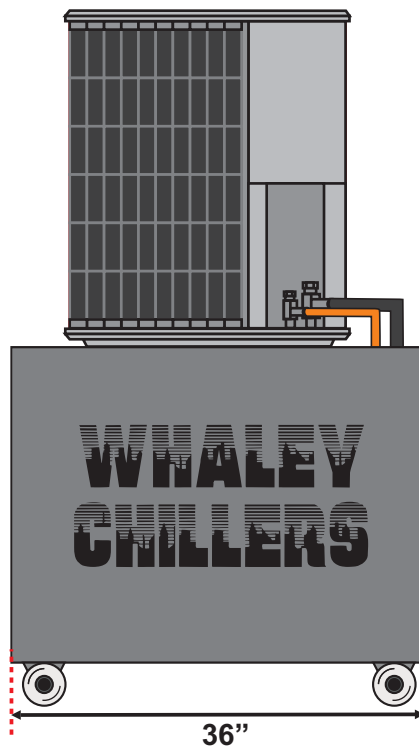


Model #: SAP5-2-PT
Nominal Tons: 5 Ton
KW: 17.5
BTU/hr: 60,000
Pump Configuration: Single
Voltage: 208-230/1
Unit FLA: 36.7
Supply Pump HP: 1 HP
Circ Pump HP: N/A
Max Flow: 12 gpm
Insulated Poly Tank Size: 30gal
Length: 36"
Width: 36"
Height: 68"
Number of Compressors: 1
Inlet/Outlet Connections: 1"

Left Side View



Front View



Right Side View

